

# PVA flow through

potable water  
expansion vessels



altecnic

# PVA flow through potable water expansion vessels



## Introduction

Altecnic offer a complete range of flow through expansion vessels for use with potable water.

The expansion vessels are manufactured to meet the requirements of 2014/108/EC Directive

## Design

Manufactured in carbon steel with a two or three part weld construction.

Pre-pressurised air chamber with synthetic rubber compound bladder.

The internal surfaces of the vessel in contact with the water are coated against corrosion.

External surfaces have a green durable powder coated finish.

Suitable for temperatures up to 70°C, resistant to ethylene or propylene glycol mixtures and has low gas permeability.

Available with 3/4" 'flowjet' 4 function valve.

Rp3/4 bronze 'Tee' supplied as standard for easy installation

33 litre vessel has integral wall mounting bracket.

Altecnic expansion vessels are all tested according to the Pressure Systems Directive.

## How It Works

In a closed hot water circuit, the water cannot be compressed so any increase in volume, created by an increase in temperature, has to be accommodated by an expansion vessel.

When water is cold, the pre-charge pressure forces the bladder to collapse until the pump is started when the bladder starts to inflate.

As the temperature in the system increases, with the associated increase in pressure and volume, the expanded water enters the bladder creating additional volume and lowering the pressure.

When the temperature decreases, the pre-charge pressure forces the water from the bladder and back into the main water circuit.

## Materials

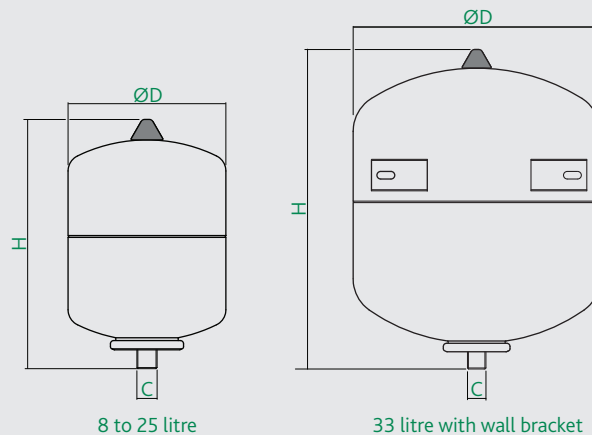
### Component

Component	Material
Shell	Carbon steel
Connection	Stainless steel
Bladder	Butyl elastomer
Coating	Powder epoxy

## Technical Specification

Max. working pressure:	10 bar
Max. operating temperature:	70°C
Factory air pre-charge:	4.0 bar - nitrogen
System water connection thread:	BE EN ISO 228 - male parallel

## Dimensions



Product Code	Capacity	ØD	H	C	Weight
	litres	mm	mm	Connection	kg
PVA8G	8	206	344	G3/4B	1.7
PVA12G	12	280	318	G3/4B	2.0
PVA18G	18	280	418	G3/4B	2.5
PVA25G	25	280	528	G3/4B	3.3
PVA33G	33	354	468	G3/4B	5.8

## Flowjet Valve

The Flowjet valve enable 4 functions to be performed easily.

- Continuous water flow through the bladder helping to maintain the quality of the potable water by minimising stagnation.
- Isolation should the expansion vessel need to be removed
- Drain facility
- Bypass

Product Code: PVACC1



CE marked

WRAS Approved Product

Altecnic Ltd Mustang Drive, Stafford, Staffordshire ST16 1GW

T: +44 (0)1785 218200 E: sales@altecnic.co.uk

Registered in England No: 2095101

altecnic.co.uk

AL 124 24-08-20

E & O.E

© Altecnic Limited. 2020

ALTECNIC™

altecnic