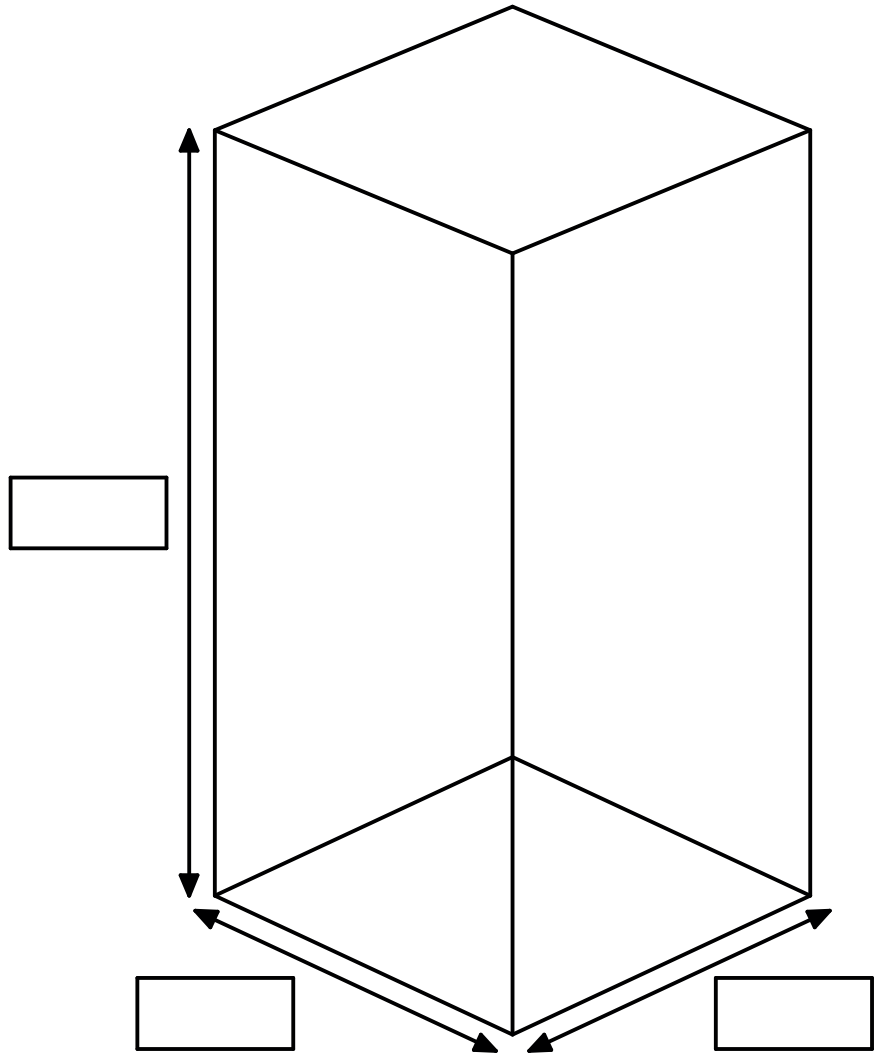




**\*PLEASE USE BLACK INK**

Tick as appropriate	
QUOTE	
ORDER	



CUSTOMER DETAILS	
Name	
Company	
Branch	
Job Ref	
Tel	
Fax	
Email	

Tank Capacity	
Type	
Elson Type	
Quote Reference	

Additional Comments

Ref	Description of Connections <small>(Please show position of Ball Valve, Overflow, Flow, Return, Hot Draw off, Drain, Cold Feed, Primary Vent, Thermostat, Immersion Heater, Secondary Return where applicable)</small>	Size