

312OEM Inlet Control

Features and Benefits

- Integral Strainer
- Balanced cold water take off (some models)
- One-piece cartridge
- Compact design
- Prevents over pressurisation
- Integral check valve
- Dedicated connection for expansion vessel



WRAS
APPROVED
PRODUCT

Description

This two piece inlet control incorporates several different control devices. It is specifically designed for use on an unvented system to control the incoming water supply to a hot water cylinder. Compact in design, the two pieces are made up firstly of a 'Droptight' pressure reducing valve, meaning the valve will hold at the pre-set pressure whether under flow or no flow conditions and regardless of fluctuating inlet pressures. Then secondly, a core manifold which is a unique valve that creates a central safety device, incorporating a pressure relief valve cartridge (6bar) to prevent over pressurisation of the system and a single check valve which provides backflow prevention up to category 2. It also includes a 3/4" dedicated connection for an expansion vessel.

TWO PIECE INLET CONTROL VALVES

Specification Sheet



The Safety Valve Specialist

Specifications

Maximum working pressure 16bar
 Maximum Temperature 25°C
 Pressure Reduction Ratio 10:1 max
 Expansion Vessel Connection 3/4" FBSP

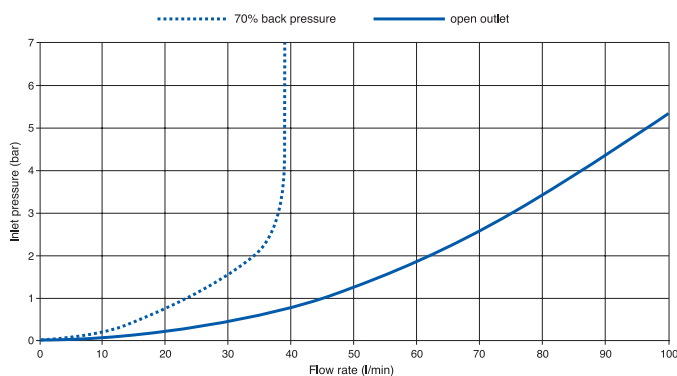
Approvals

Pressure Reducing Valve WRAS 0912309
 Core Manifold WRAS 0912046

Standards

BS EN 1567 Pressure Reducing
 BS EN 1491 Relief Valve
 EN 13959 Check Valve

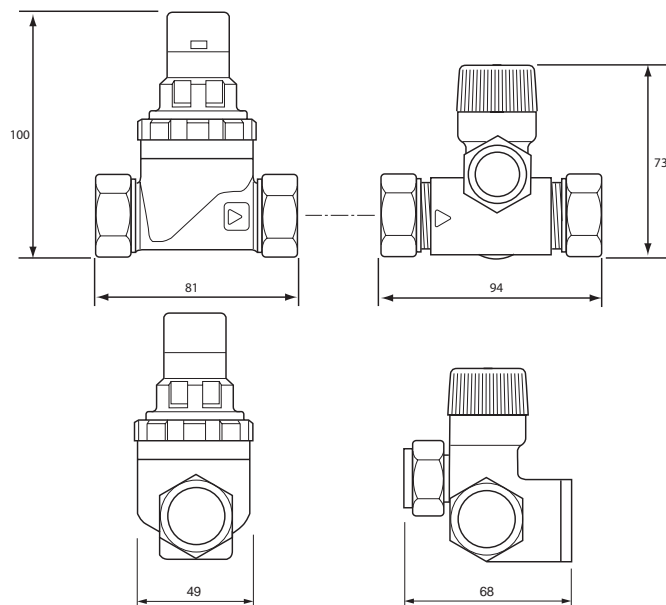
Pressure drop graph



Typical Installation



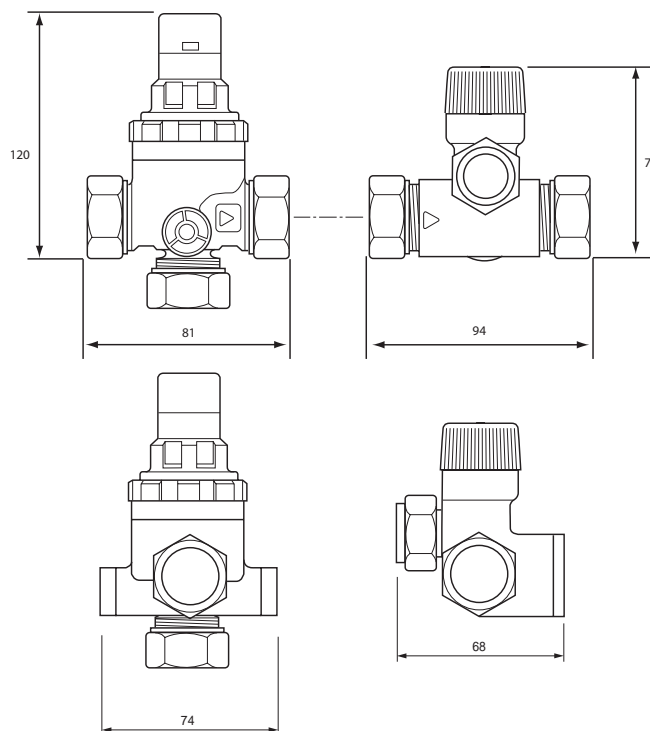
Dimensions



All dimensions shown in mm unless otherwise stated

Product Code

CWIC 100 050 Two Piece Inlet Control Valve pre-set 3/6bar



All dimensions shown in mm unless otherwise stated

Product Code

CWIC 100 100 Two Piece Inlet Control Valve complete with cold water take off pre-set 3.5/6bar

Reliance Water Controls Ltd
 A Reliance Worldwide Company

Worcester Road, Evesham, Worcestershire, WR11 4RA, UK. UK – Freephone: 0800 389 5931
 Freefax: 0800 389 5932 Outside UK – Tel: +44 (0)1386 712400 Fax: +44 (0)1386 712401 Email: sales@rwc.co.uk

www.rwc.co.uk