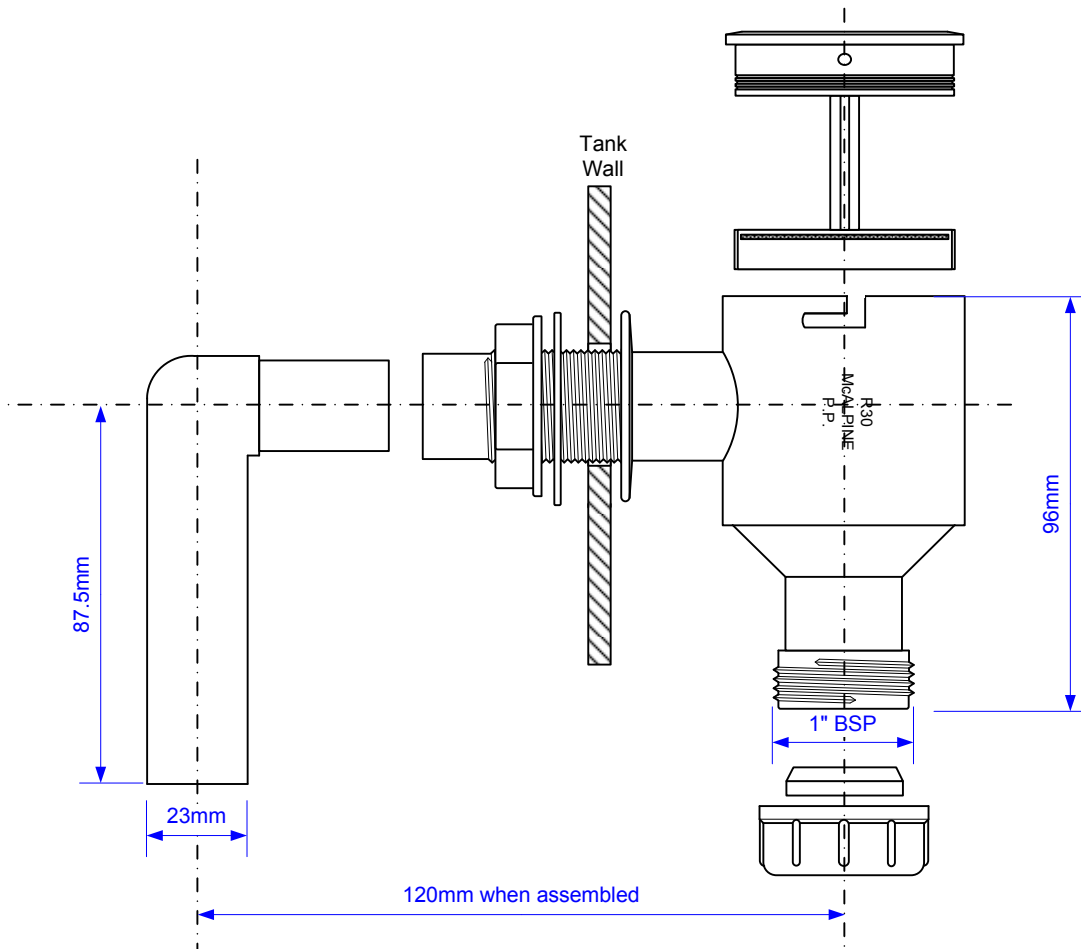


Code:

R30

**3/4" - 22mm Screened Tank Overflow**  
With quick release Filter Pack



© McALPINE  
08/10/2013

Drawing verified  
correct as of:

11/07/2014  
RM

DRAWN BY

RM

REVISED

06/10/2010, 08/10/2013  
11/07/2014

FILENAME

R30.VSD

SCALE

1: 1.75

DATE

11/07/2014