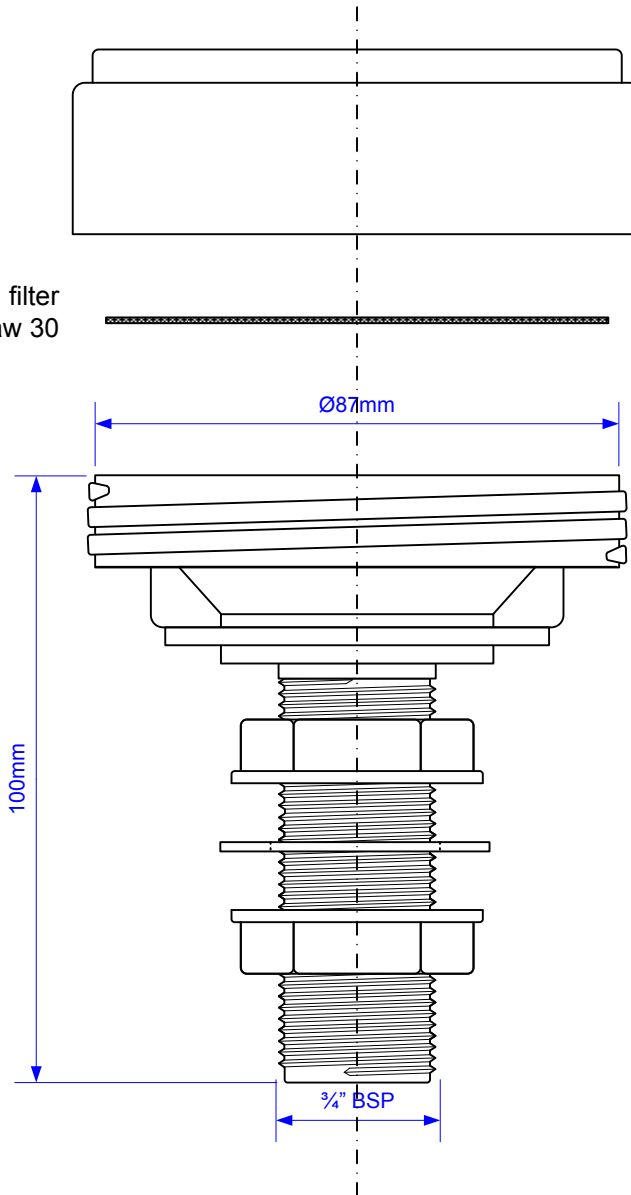


**Code:**

**R31**

Stainless Seal filter  
complies with Bye-law 30



© McALPINE  
08/10/2013

Drawing verified  
correct as of: 08/10/2013  
RM

DRAWN BY

RM

SCALE

1: 1.25

REVISED

01/04/2009, 08/10/2013  
20/04/2015

FILENAME

R31.VSD

DATE

20/04/2015