



CYLINDER THERMOSTATS

- STAT500025** Dual thermostat, 30-70°C, no pocket
- STAT500030** Single high limit cut-out 82°C thermostat including pocket
- STAT500040** Single control thermostat 30-90°C including pocket

OVERVIEW

A range of liquid-filled thermostats, available as a dual control which adopts two levels of protection or as a single thermostat. The dual thermostat includes both a temperature control and a high limit safety cut out and manual re-set. There are two versions of the single thermostats, one comes with a single temperature control, and the other a single high limit safety cut out and manual re-set. These thermostats are designed to be fitted to the hot water cylinder and in the event of a failure the thermostat will either cut off due to the control thermostat reaching its set temperature, which is user adjustable, or by the high limit cut off thermostat, which is set to a pre-determined temperature.



WATER CONTROLS FOR A MODERN WORLD

RELIANCE

TEMPERATURE
CONTROL

FLOW
CONTROL

HEATING SYSTEM
COMPONENTS

WASHROOM
SYSTEMS

HEATING & COOLING
DISTRIBUTION SYSTEMS

PLUMBING
SYSTEMS

CYLINDER THERMOSTATS

FEATURES AND BENEFITS

- Dual thermostat combines high limit and temperature control thermostat in one
- High limit restricts to maximum 82°C
- Temperature control for user flexibility
- Pockets available separately

SPECIFICATIONS

Temperature control (STAT500040 only):	30-90°C
Temperature control (other models):	30-70°C
High limit temperature:	82°C
Temperature tolerance:	+/-5%
Degree of protection:	IP 40
Insulation class:	1
Maximum pocket pressure:	10.0 bar

STANDARDS AND APPROVALS

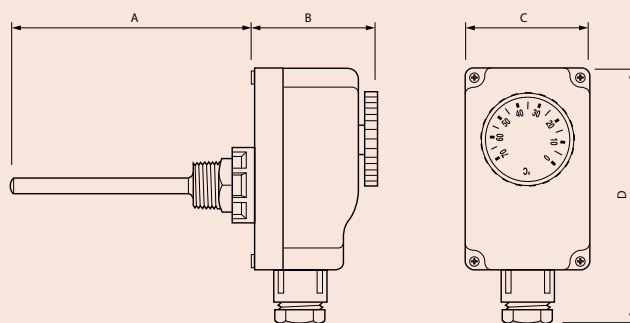
- CE Marked

OPTIONAL ACCESSORIES

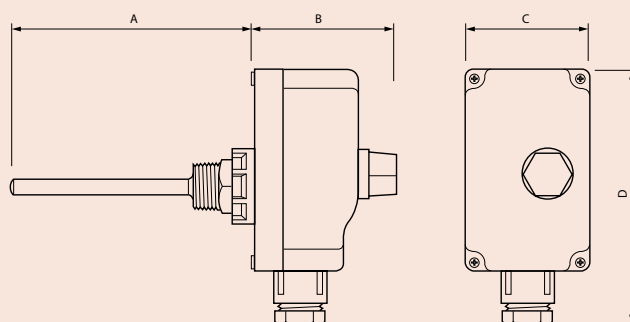
PCKT100005:	Copper pocket for dual thermostats (85mm)
PCKT100010:	Copper pocket for single thermostats

DIMENSIONS

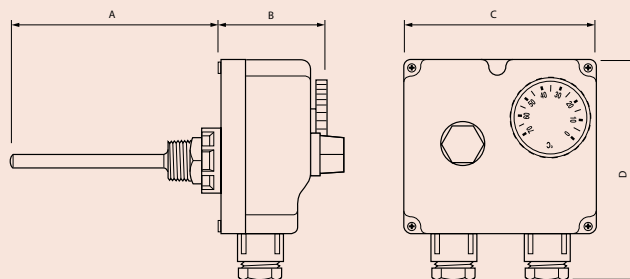
All dimensions in mm unless otherwise stated.



STAT500040 Single Control Thermostat



STAT500030 Single High Limit Cut Out Thermostat



STAT500025 Dual Thermostat

Product Code	A	B	C	D
STAT500025	85	55	102	107
STAT500030	100	45	51	107
STAT500035	100	45	51	107
STAT500040	100	45	51	107